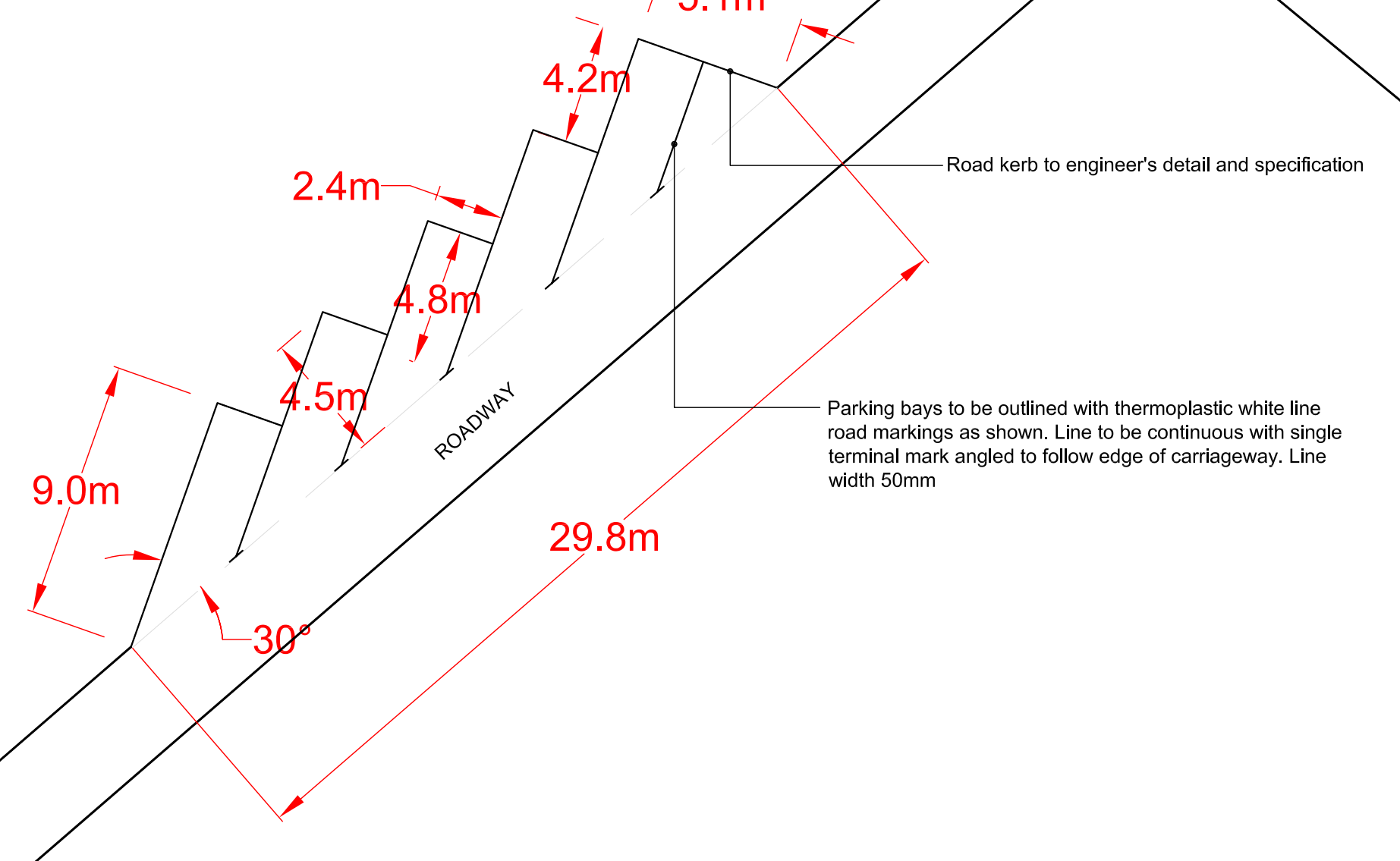


DETAIL SETTING OUT VEHICLE PULL-IN POINTS
Scale 1:20



Schedule of Road Markings: Lettering & Arrows
White thermoplastic, approx. height 560mm (to be agreed on site)

Description	No	
NO ENTRY	'No Entry'	8
↑	Arrow only	13
↑ CHAPEL	Arrow with 'Chapel'	1
↑ CAR PARK	Arrow with 'Car Park'	2
↑ EXIT	Arrow with 'Exit'	3
COACHES ONLY	'Coaches Only'	1

KEY

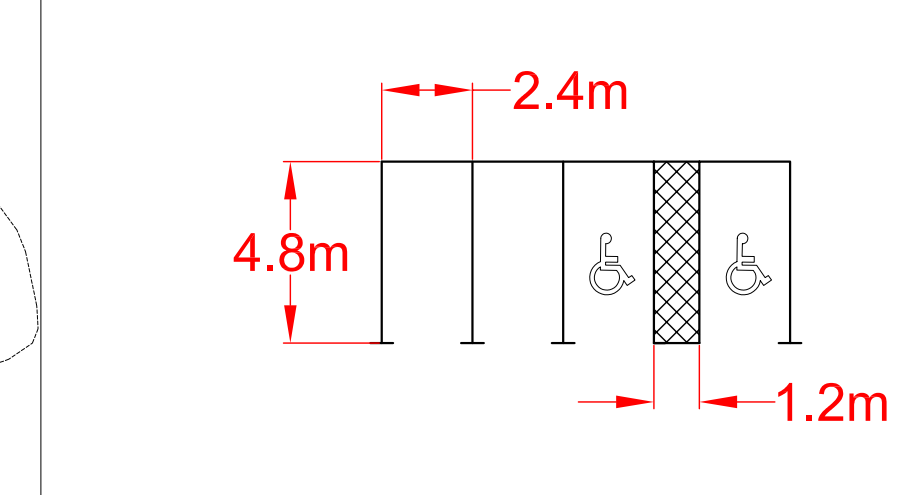
- SOFT LANDSCAPE**
- Existing trees retained
 - Existing hedgerows/shrubs retained
 - Proposed tree planting
Refer to drawing KL.160.014
 - Proposed hedge planting
Refer to drawing KL.160.014
 - Proposed ornamental planting
Refer to drawings KL.160.022 to 025
 - Existing grass areas retained/reinstated
 - Close mown amenity grassland
Refer to drawing KL.160.014
 - Wildflower meadows and species rich grassland
Refer to drawing KL.160.014
 - Proposed bunds
Refer to drawing KL.160.015
- HARD LANDSCAPE**
- Tarmac paving to roads, car parks, and vehicle pull-in points with pcc kerbs
Refer to engineers detail and specification
 - Road markings: lettering and arrows
To be white thermoplastic. See schedule for description and number required. Approximate height 560mm. Setting out to be agreed on site.
 - Tarmac paving to footpaths
Refer to engineers detail and specification. Timber edging as Q23/310
 - Hard binding gravel to footpaths
As clause Q23/110
 - Concrete sett paving to chapel
As clause Q24/110
Refer to drawing KL.160.021
 - Headstone border with inter-grave surface water drainage
Refer to drawing KL.160.012
- SITE FURNITURE & FENCING** (excluding chapel and main entrance)
- Seating area with pergola & watering point
Refer to drawing KL.160.019
 - Bollard signage to burial lawns
Letter denotes wording required - refer to drawing KL.160.020. Exact locations to be agreed on site
 - Timber post and rail fence
As clause Q40/210
 - Timber post and wire mesh fence
As clause Q40/140
- Refer to drawings KL.160.018 and KL.160.021 for details of proposed site furniture and fencing to chapel and main entrance

Refer to drawing KL.160.015 for landscaping requirements to proposed bunds
Refer to drawings KL.160.016 & KL.160.017 for landscaping requirements to proposed detention basin, reedbed & pond



Parking bays to be outlined with thermoplastic white line, road markings as shown, to include 17no standard bays and 2no disabled bays. Line to be continuous with single terminal mark. Line width 50mm
Additional requirements: Disabled parking symbols

LINE MARKING DIMENSIONS TO CAR PARK
Scale 1:20



Refer to drawing KL.160.021 for landscaping requirements to chapel, car park, ornamental planting areas, service area and private courtyard
Refer to drawing KL.160.018 for landscaping requirements to main entrance including details of new entrance gates

TENDER
DO NOT SCALE THIS DRAWING
Use only figured dimensions
Contractor to verify all dimensions on site prior to commencement of works

C: Paving layout to rear of chapel amended	LK	02.10.12
B: Hatch amendment to wildflower meadows	LK	17.09.12
A: Amended road markings	LK	13.09.12
Revisions:	Dwn:	Date:

Project: Proposed Extension to Lenton's Lane Cemetery, Coventry		
Drawing: Site Layout		
Date: 07.09.12	Drawn: LK	
Dwg No: KL.160.013	Scale: 1:1000 @ A1	
Revision: C	Revision Date: 02.10.12	

